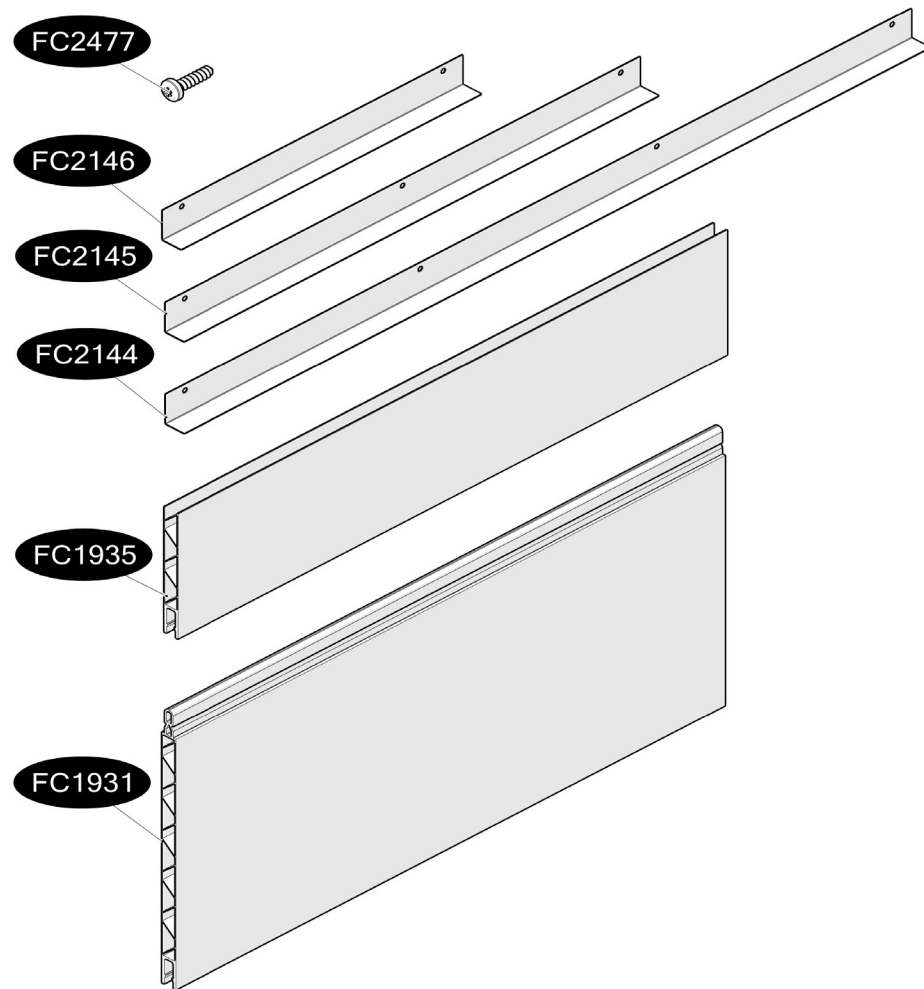
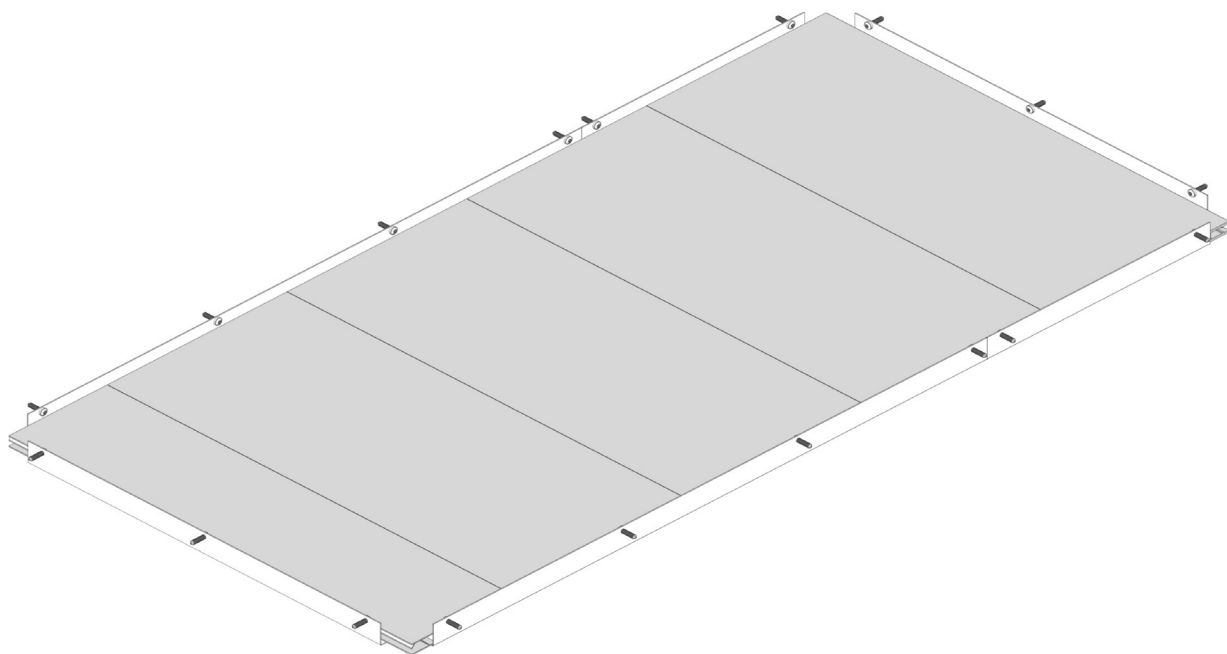


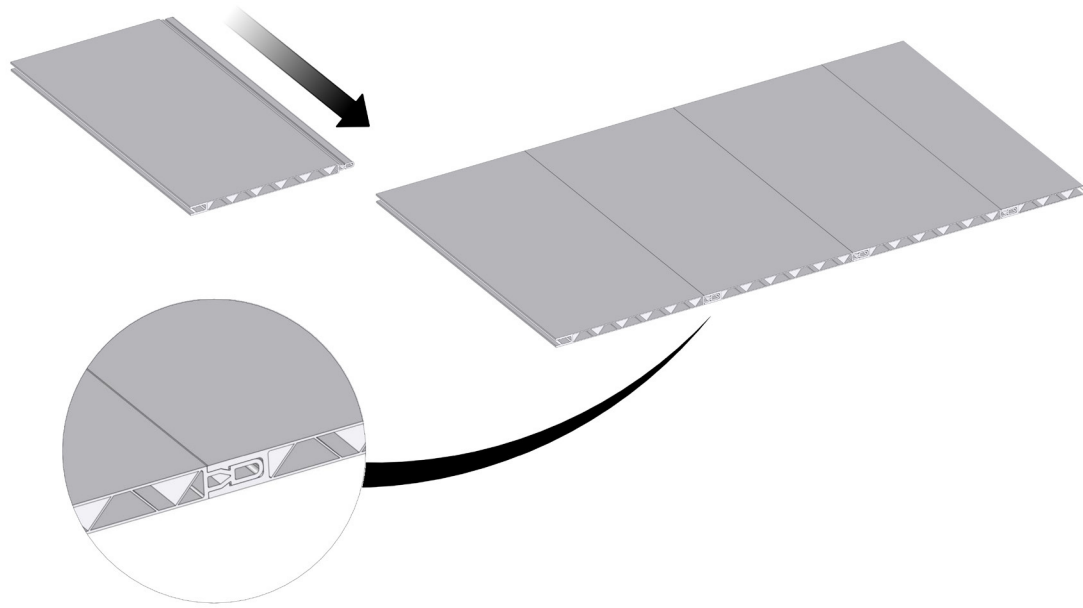


FC6663 Bottom raised bed WOOD 120x62 cm

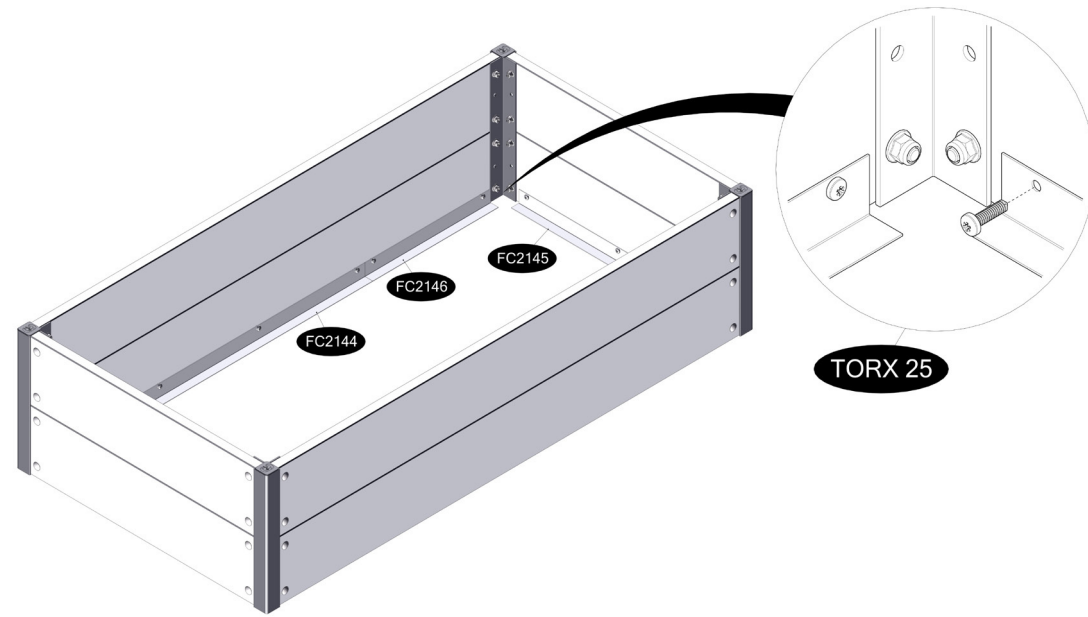
- FC2477 18 pcs. 5 x 20 mm Torx 25
- FC2146 2 pcs. L= 310 mm
- FC2145 2 pcs. L= 490 mm
- FC2144 2 pcs. L= 770 mm
- FC1935 1 pcs. 560 x 137 mm
- FC1935 4 pcs. 560 x 250 mm



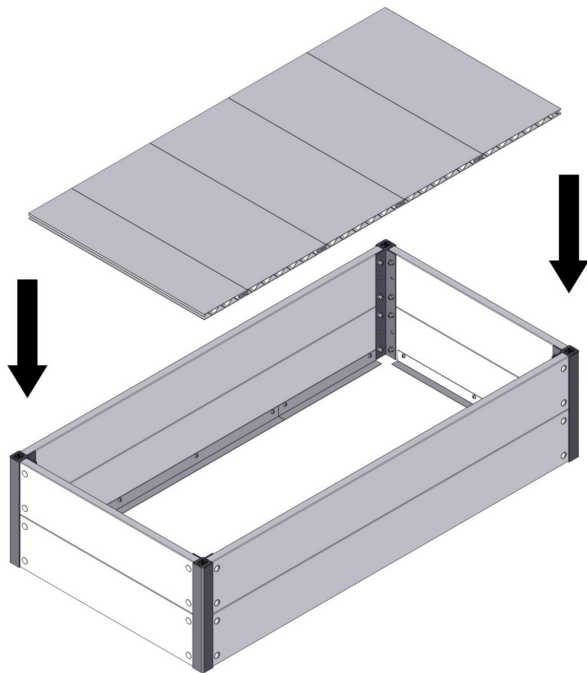
1 FC6663 Bottom raised bed WOOD 120x62 cm



2

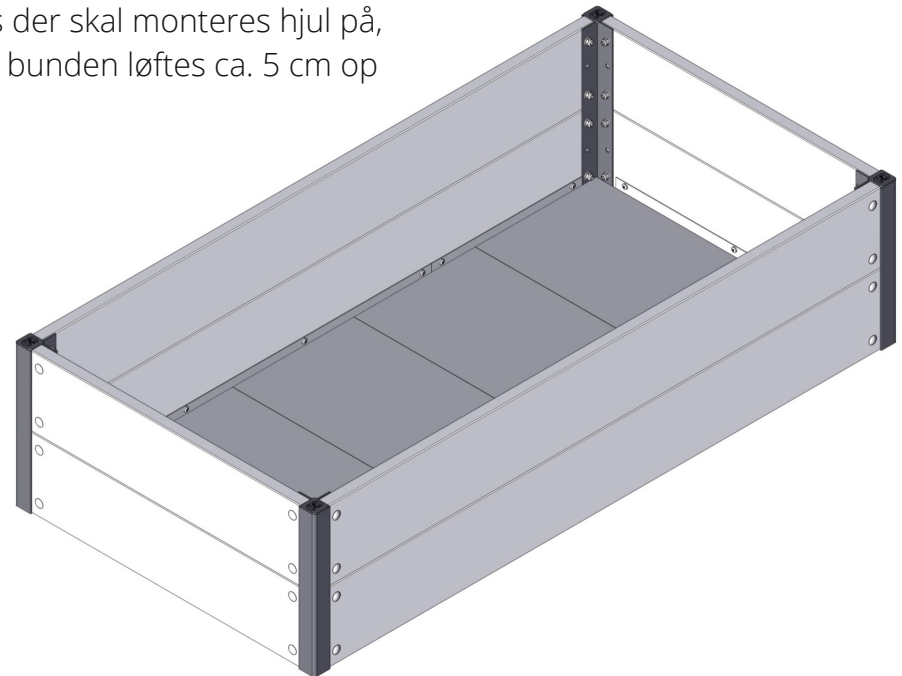


3



4

Hvis der skal monteres hjul på, skal bunden løftes ca. 5 cm op





Bunden løftes ca. 5 cm op, hvis der skal monteres hjul og bund i højbedet.

The bottom should be lifted approx. 5 cm up, if wheels and bottom are to be mounted in the raised bed.

